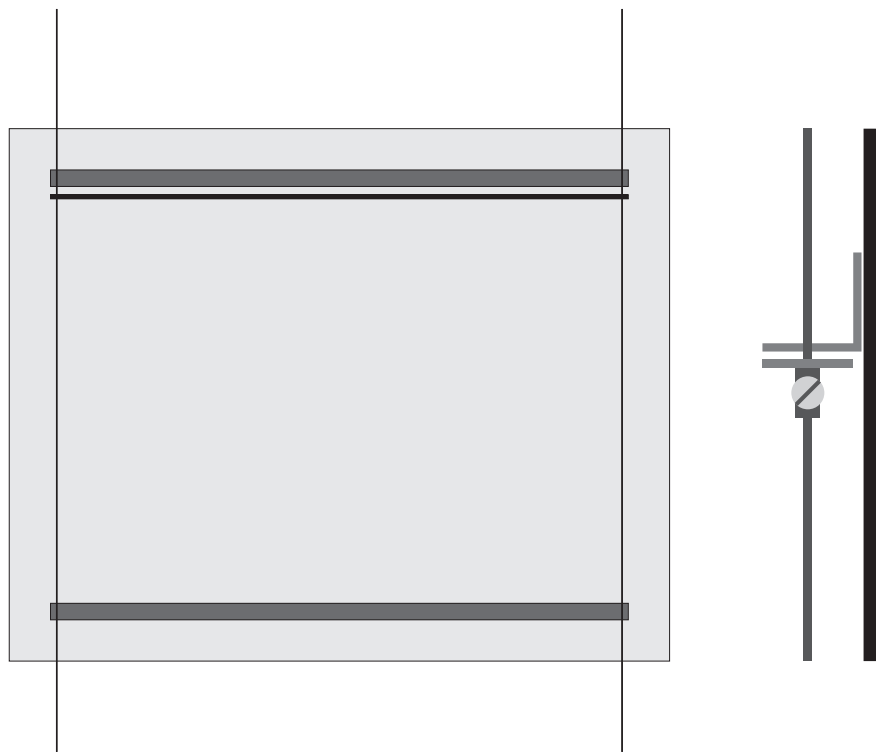


Set up

The panels (3 mm Dibond) are reinforced on the back side with aluminum angle sections.

The perforated flat sections are attached to steel cables by clamps or picture hooks (provided by the borrower). That is where the panels are mounted.

Free-hanging panels, e.g. from the ceiling, can be attached back to back onto panels of the same size (sandwich).





The Face of the Ghetto
Photos taken by Jewish Photographers
in the Litzmannstadt Ghetto, 1940–1944

Topography of Terror Foundation
Special Exhibition 2010



The Face of the Ghetto
Photos taken by Jewish Photographers
in the Litzmannstadt Ghetto, 1940–1944

Topography of Terror Foundation
Special Exhibition 2010